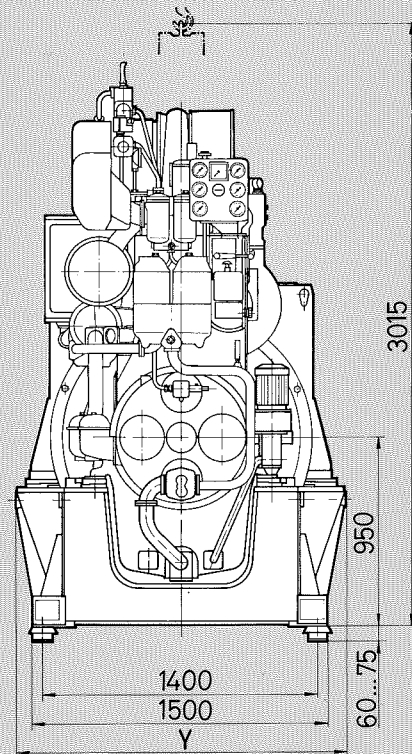
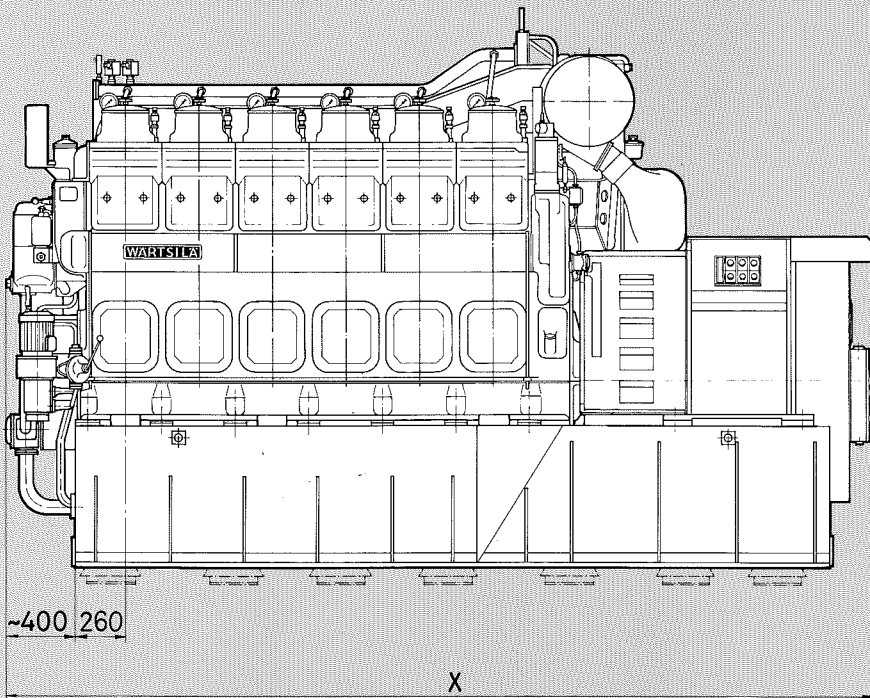
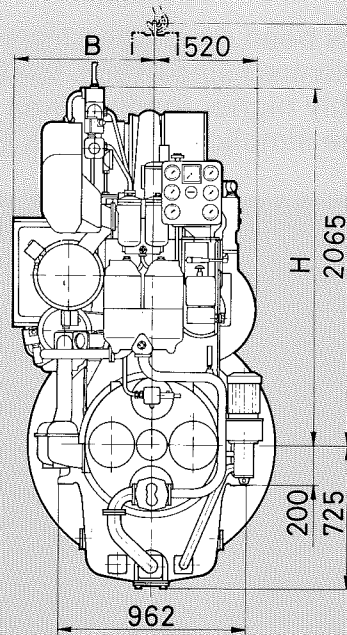
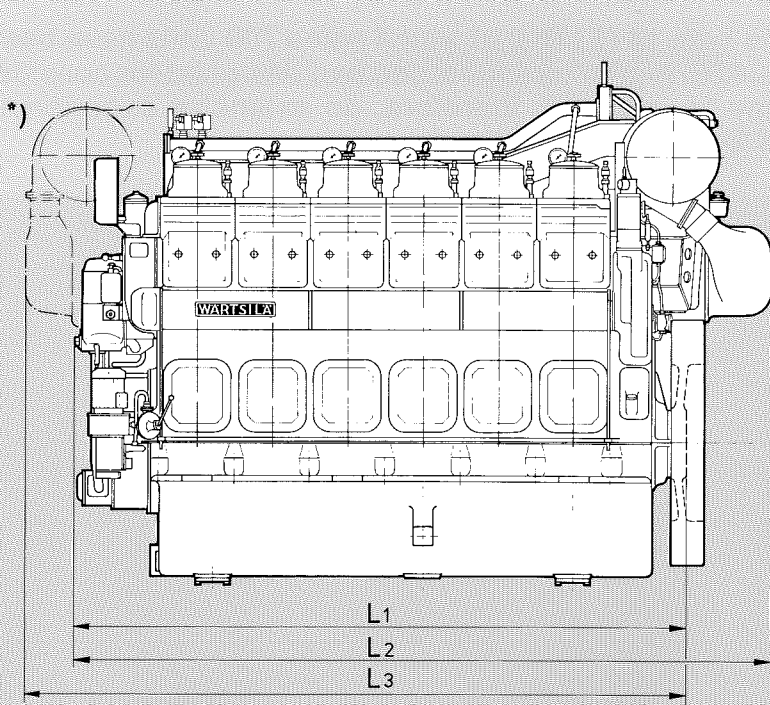


Wärtsilä diesel engine VASA 24TS



Engine type	No of cyl.	L1 mm	L2 mm	L3 mm	B mm	H mm	Engine weight kg	X mm	Y mm	Weight of gener set kg
424TS	4	2280	2615	2585	690	1570	7400	3970	1870	13700
524TS	5	2710	3135	2970	660	1750	8500	4450	1870	15700
624TS	6	3090	3515	3350	710	1750	9600	5030	1870	18200
824TS	8	3850	4275	4110	710	1750	12400	5890	1870	22100

The engine weights without waterpumps but with normal flywheel. The dimensions of the generator sets as a guidance only. *)The turbocharger, against additional payment, at the free end of the engine. Rights to alterations reserved.